



ADJUSTABLE DIFFERENTIAL PRESSURE SWITCH RSS SERIES

DESCRIPTION

The economical **Cleveland Controls RSS Series Adjustable Differential Pressure Switches** are designed for positive, negative, or differential pressure monitoring with actuation on pressure rise or fall. The unit is constructed with a high temperature thermoplastic housing, an internal EPDM diaphragm, and an externally mounted snap action switch. Male quick connect terminals allows easy installation. The field adjustability makes these switches ideal for light industrial and commercial HVAC applications.

FEATURES

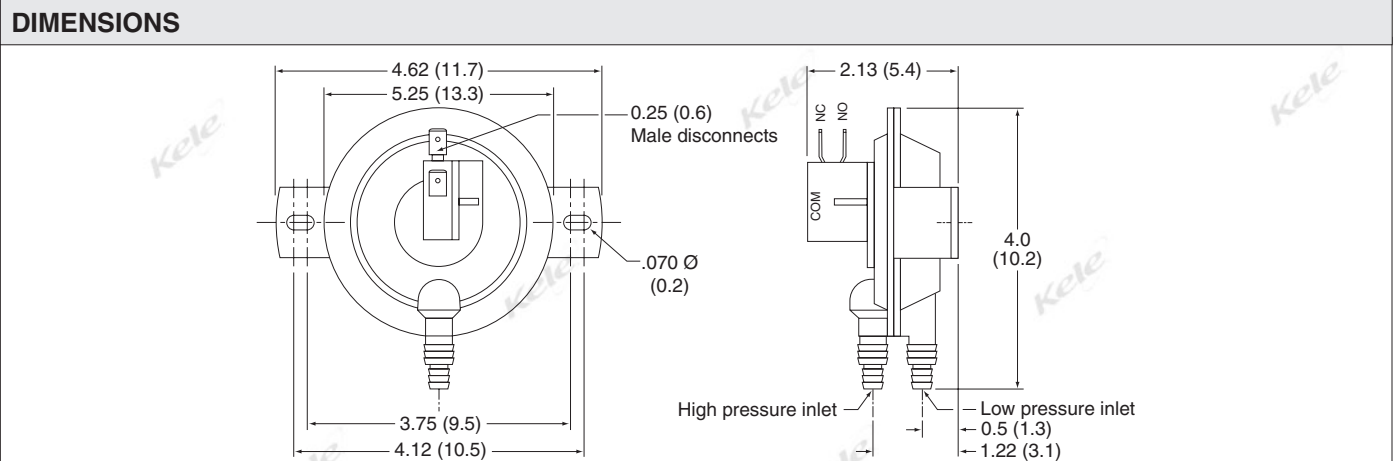
- **Adjustable set point**
- **Actuated by a pressure or vacuum air flow**
- **Quick connect terminals**
- **5A, SPDT switch**



RSS-495-011



SPECIFICATIONS	
Contact Rating	5A resistive, 120-277 VAC, 60 Hz; 1A pilot duty (120 VA) @ 120 VAC
Contact Type	SPDT
Setpoint Range	
RFS-495-011	0.20" to 1.0" W.C. (49 to 249 Pa)
RFS-495-013	1.0" to 4.0" W.C. (249 to 996 Pa)
Overpressure	1 psi (0.06 bar)
Life Expectancy	100,000 cycles minimum @ 1 psi maximum each cycle and maximum rated load
Operating Temperature	-40° to 190°F (-40° to 88°C)
Diaphragm Material	EPDM
Enclosure	Thermoplastic
Process Connection	Barbed fittings for 1/4" ID or 3/8" ID flexible tubing
Approvals	UL recognized, file #MH6213, CSA, CE
Weight	0.25 lbs (0.11 kg)
Warranty	1 year



ORDERING INFORMATION

MODEL	DESCRIPTION
RSS-495-011	Adjustable differential pressure switch, 0.20" to 1.0" W.C. (49 to 249 Pa)
RSS-498-013	Adjustable differential pressure switch, 1.0" to 4.0" W.C. (249 to 996 Pa)

	RELATED PRODUCTS	PAGE
A-301-K	Duct static pressure tip, 1/4" compression	1113
A-302-K	Duct static pressure tip, 1/4" barb	1113
A-308-K	Duct static pressure fitting, 1/4" barb	1113
A-345-K	Flange mounting kit (1 required for each A-301-K or A-302-K)	1113
T-101	1/4" OD black poly tubing, 1 coil, 250 ft (76 m)	901